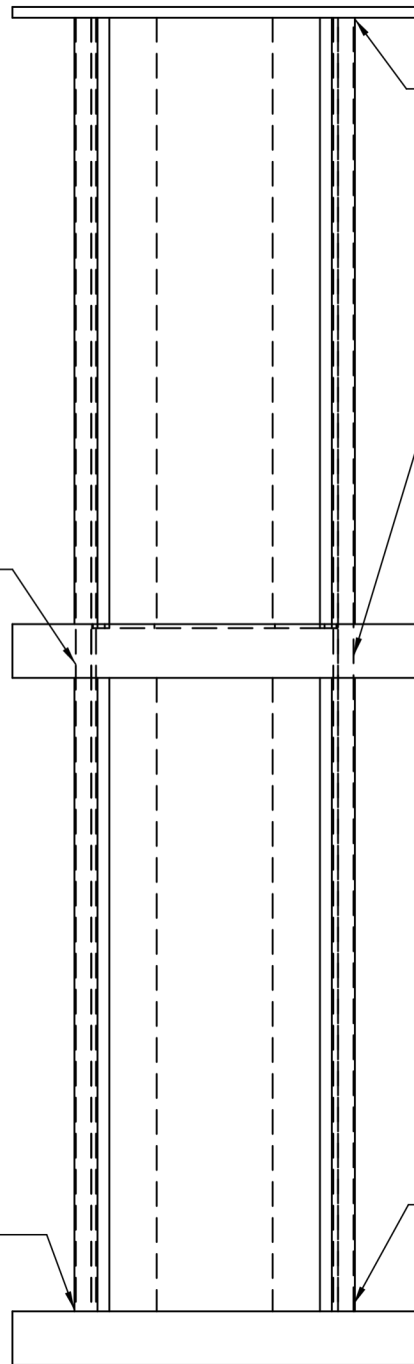


The Duo Maximum Capacity 170kg Live Load



No compression load on ceiling
Possible lateral load of 8kg
2 fixed pins in shear with ceiling

No Load Bearing on 1st Floor
Fixings used for guidance of rails

1x Bugal Screw fixing to first floor

Principal Data

TYPE:

The Duo Residential Access Device

DRIVE SYSTEM:

Roped Drum, Braked Gear Motor Drive

CAPACITY:

170kg

TRAVEL:

Variable (up to 4000mm)

NO OF STOPS:

2 Maximum

SUPPLY VOLTAGE:

240V 1PH 50HZ

RUNNING CURRENT:

2.5 AMP

STARTING CURRENT:

2.5 AMP

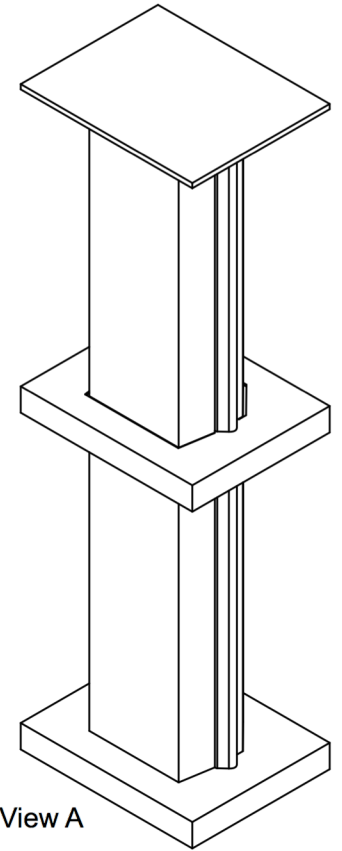
STANDARD COLOUR:

Off White / Cream (other colours available)

Optional Non-penetrative
fixings to ground floor

Compression Load
200kg / 2000kn Each Rail

View A - Front View



View A